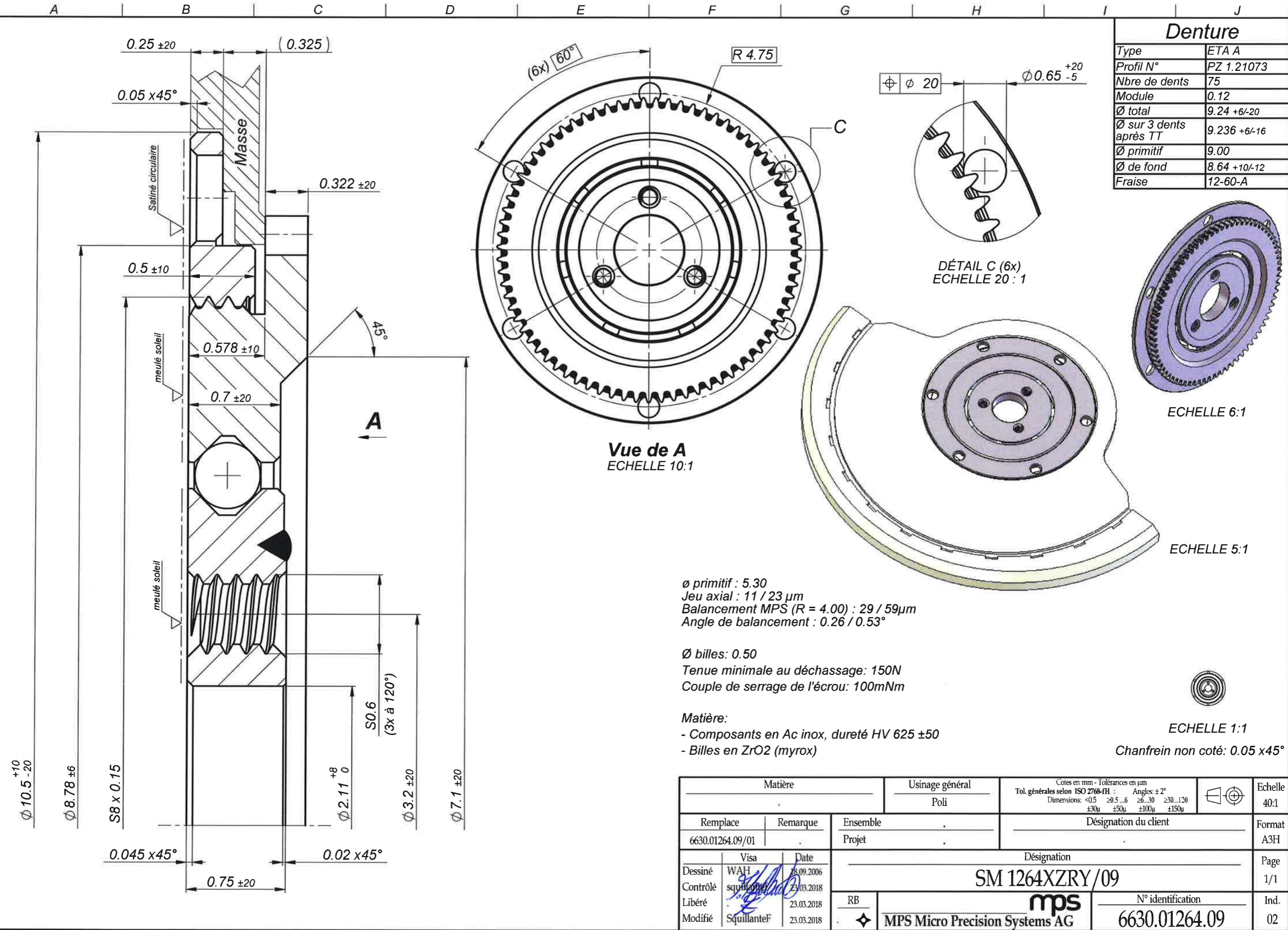


We reserve all right in connection with this document and in the subject thereof. By acceptance of the document the recipient acknowledges these rights and undertakes not to publish the document nor the subject thereof in full or in part, nor to make them available to any third party without our prior express written authorization, nor to use it for any purpose other than for which it was delivered to him.

SW



Denture	
Type	ETA A
Profil N°	PZ 1.21073
Nbre de dents	75
Module	0.12
Ø total	9.24 +6/-20
Ø sur 3 dents après TT	9.236 +6/-16
Ø primitif	9.00
Ø de fond	8.64 +10/-12
Fraise	12-60-A

**Vue de A**  
ECHELLE 10:1

DÉTAIL C (6x)  
ECHELLE 20:1

ECHELLE 6:1

ECHELLE 5:1

ECHELLE 1:1

Ø primitif : 5.30  
 Jeu axial : 11 / 23 µm  
 Balancement MPS (R = 4.00) : 29 / 59 µm  
 Angle de balancement : 0.26 / 0.53°

Ø billes: 0.50  
 Tenue minimale au déchassage: 150N  
 Couple de serrage de l'écrou: 100mNm

Matière:  
 - Composants en Ac inox, dureté HV 625 ±50  
 - Billes en ZrO2 (myrox)

Chanfrein non coté: 0.05 x45°

Matière		Usinage général		Cotes en mm - Tolérances en µm		Echelle
		Poli		Tol. générales selon ISO 2768-MH : Angles: ± 2° Dimensions: <0.5 ±30µ, ≥0.5...6 ±50µ, ≥6...30 ±100µ, ≥30...120 ±150µ		
Remplace	Remarque	Ensemble		Designation du client		
6630.01264.09/01		Projet				
Visa		Date		Designation		
Dessiné	WAH	28.09.2006		SM 1264XZRY/09		
Contrôlé	Squillantef	23.03.2018		Page		
Libéré				1/1		
Modifié	Squillantef	23.03.2018		Page		
		RB		Ind.		
		◆		MPS Micro Precision Systems AG		02
				N° identification		
				6630.01264.09		