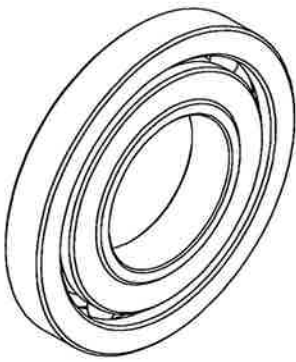
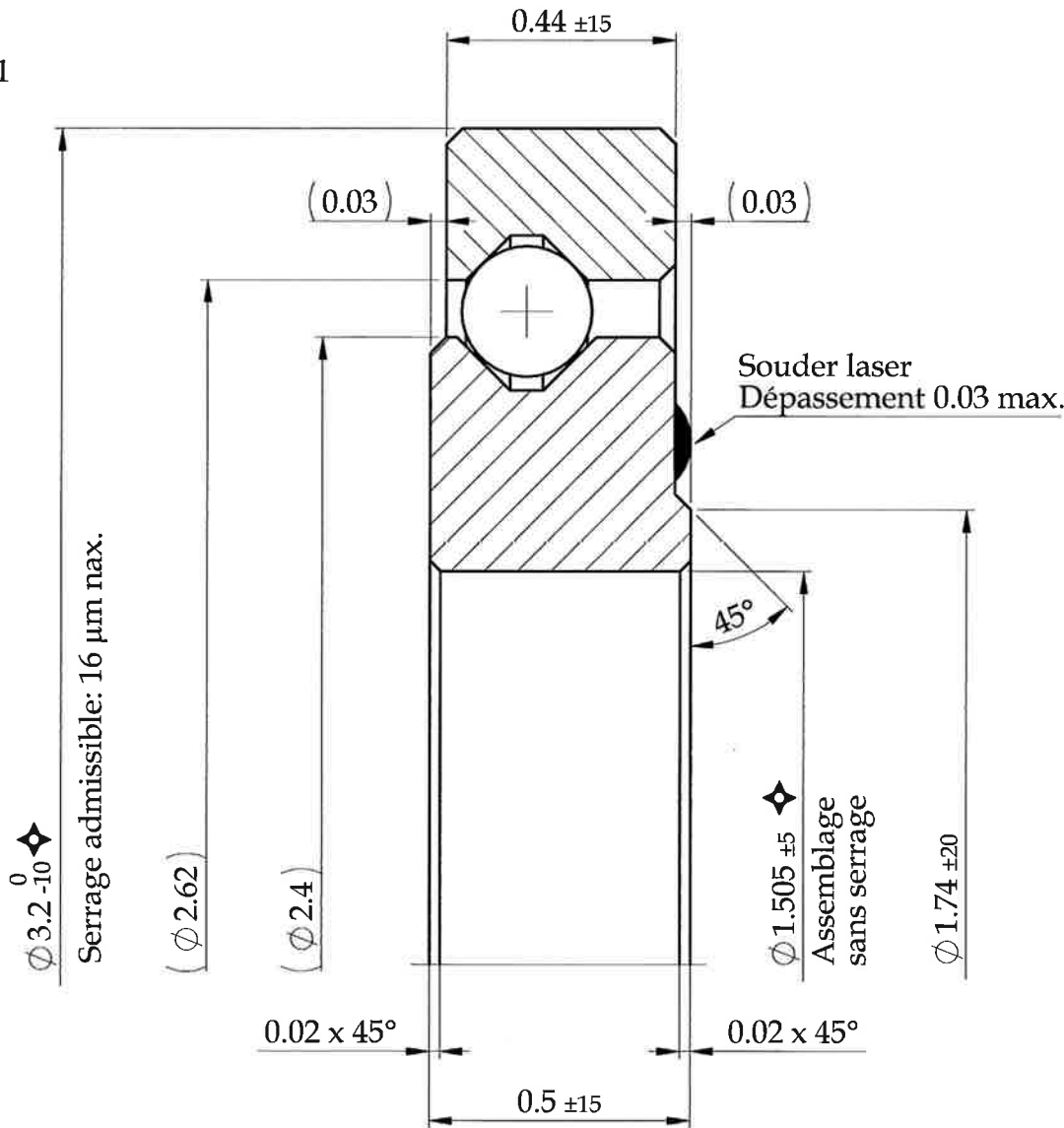


We reserve all right in connection with this document and in the subject thereof. By acceptance of the document the recipient acknowledges these rights and undertakes not to publish the document nor the subject thereof in full or in part, nor to make them available to any third party without our prior express written authorization, nor to use it for any purpose other than for which it was delivered to him.



ECHELLE 15:1



ECHELLE 1:1

Co = 16.5 N
Cao = 32.1 N

Jeu axial: 15 / 30 µm
Ø primitif: 2.50

Balancement MPS (R=1.40): 34 / 65 µm

Angle de balancement: 0.77° / 1.47°

Matière:

- Composants en acier inoxydable / HV 625 ±50
- Billes en myrox

Chanfreins non cotés: 0.03 x 45°

Matière		Usinage général		Cotes en mm - Tolérances en µm Tol. générales selon ISO 2768-fH : Angles: ± 2° Dimensions: <0.5 ±30µ ≥0.5...6 ±50µ ≥6...30 ±100µ ≥30...120 ±150µ		Echelle 70:1	
Remplace	Remarque	Ensemble		Désignation du client			
6630.01426.09/01		Projet					
Dessiné	monamy	Date		Désignation			
Contrôlé	sq	26.04.2017		SD 1426XZRY/09			
Libéré	sq	19.05.2017		Page			
Modifié	squillanteF	19.05.2017		1/1			
RB		2941		N° identification		Ind.	
		2941		6630.01426.09		02	
MPS Micro Precision Systems AG							